

7-095.02 Quarter-Turn with T-Handle Pr20.1 L30/50

Hand operable with or without key, IP65, Stainless Steel, Optional pre-assembly

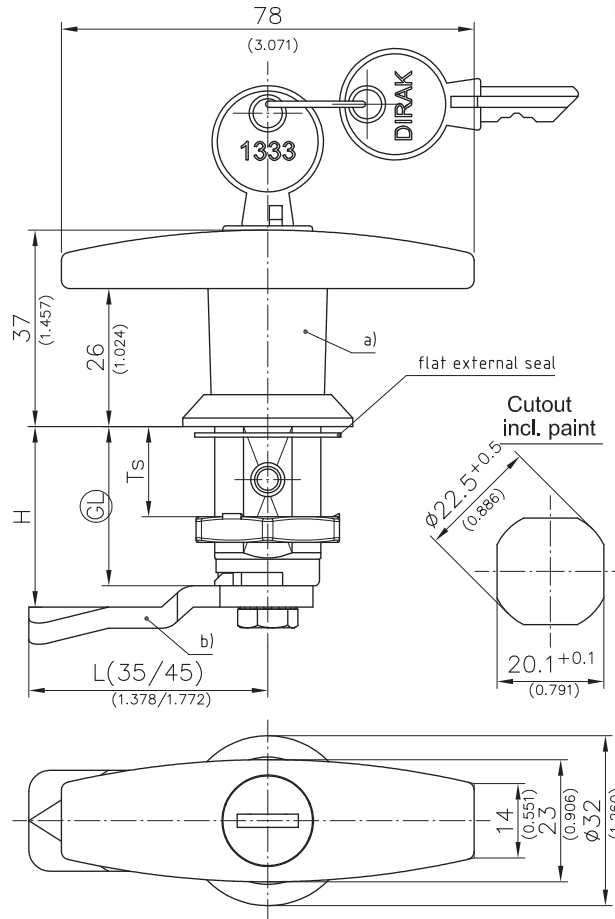
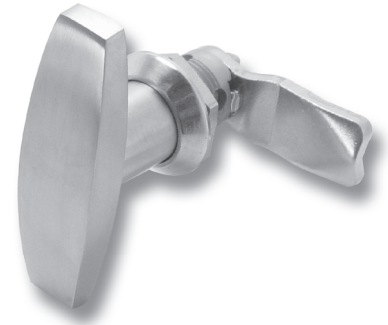


Product Notes:

- Maximum door-thickness 20mm / 40mm
- RH and LH application
- Grounding achieved with single sided grounding nut
- Water and dust tight according to IP65, DIN EN 60529
- Pre-assembly with cam available
- Extended housings available. Further housing lengths on request

Material:

- **Handle:** Stainless Steel AISI 304, Satin Polished
- **Housing, grounding nut and adapter:** Stainless Steel
- **Flat external seal:** NBR, black



Length of 4-hole housing (GL)	30	50	See Page
Door-thickness Ts	20	40	
a) Quarter-turn with T-handle with nut			
non locking	100-9401*	100-9404*	
keyed alike 1333	100-9402*	100-9405*	
keyed different	100-9403*	100-9406*	
b) Cams			
			01.24, 01.101, 01.102, 03.42
Please order separately:			
c) Assembling of cam			
Assembling cam 90° to handle without O-ring	200-0001	200-0001	
	200-0019	200-0019	

All lockable handles supplied with two keys.

* Price and delivery time on request.